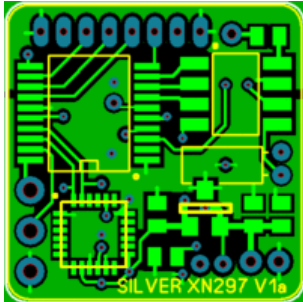
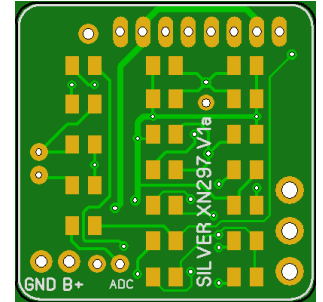


Silverlight - Silverware FC (with stock radio chip)



This FC is totally designed by Ian444 and well documented in his Rcgroups [blog](#)



It uses mainly parts available at H8mini Blue boards (except gyro) or Boldclash Bwhoop B01 boards. The solder pads fit 0805, 0603 and 0402 SMD parts, so you're quite flexible. Board size is 18.5 x 18.5 mm, weight with connector for ESCs is only 1.7g!

From:

<http://sirdomsen.diskstation.me/dokuwiki/> - **Silverware Wiki**

Permanent link:

<http://sirdomsen.diskstation.me/dokuwiki/doku.php?id=silverlightfc&rev=1521028645>

Last update: **2018/03/14 12:57**

